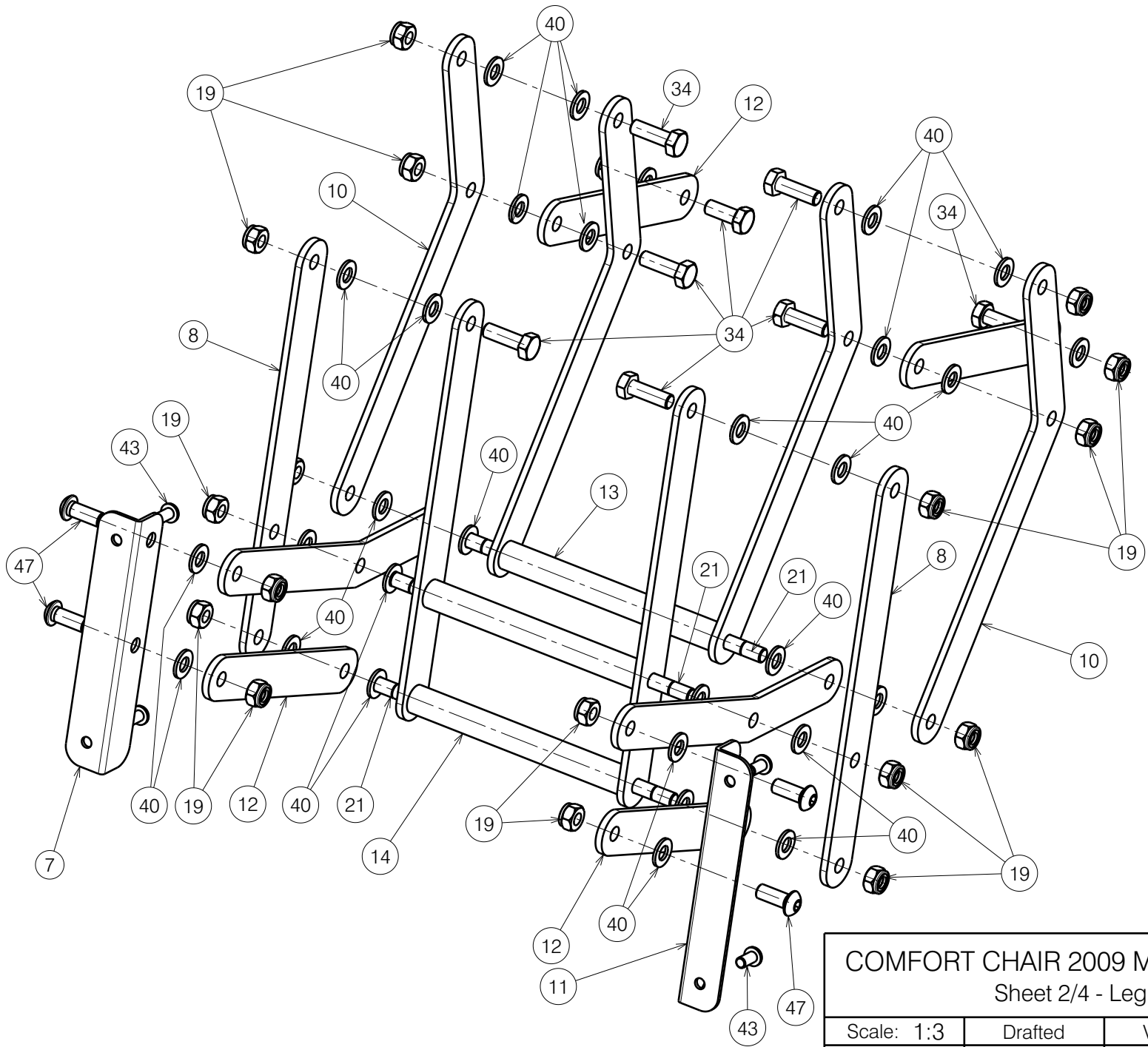


5105950

COMFORT CHAIR 2009 MODEL NORMANDIE				Plan Number
Sheet 1/4 - Lower frame				E000573/Q
Scale: 1:5	Drafted	Verified	Confirmed	
Date	27/07/2009	12/04/2021	12/04/2021	
Initials	SD	SD	PJ	

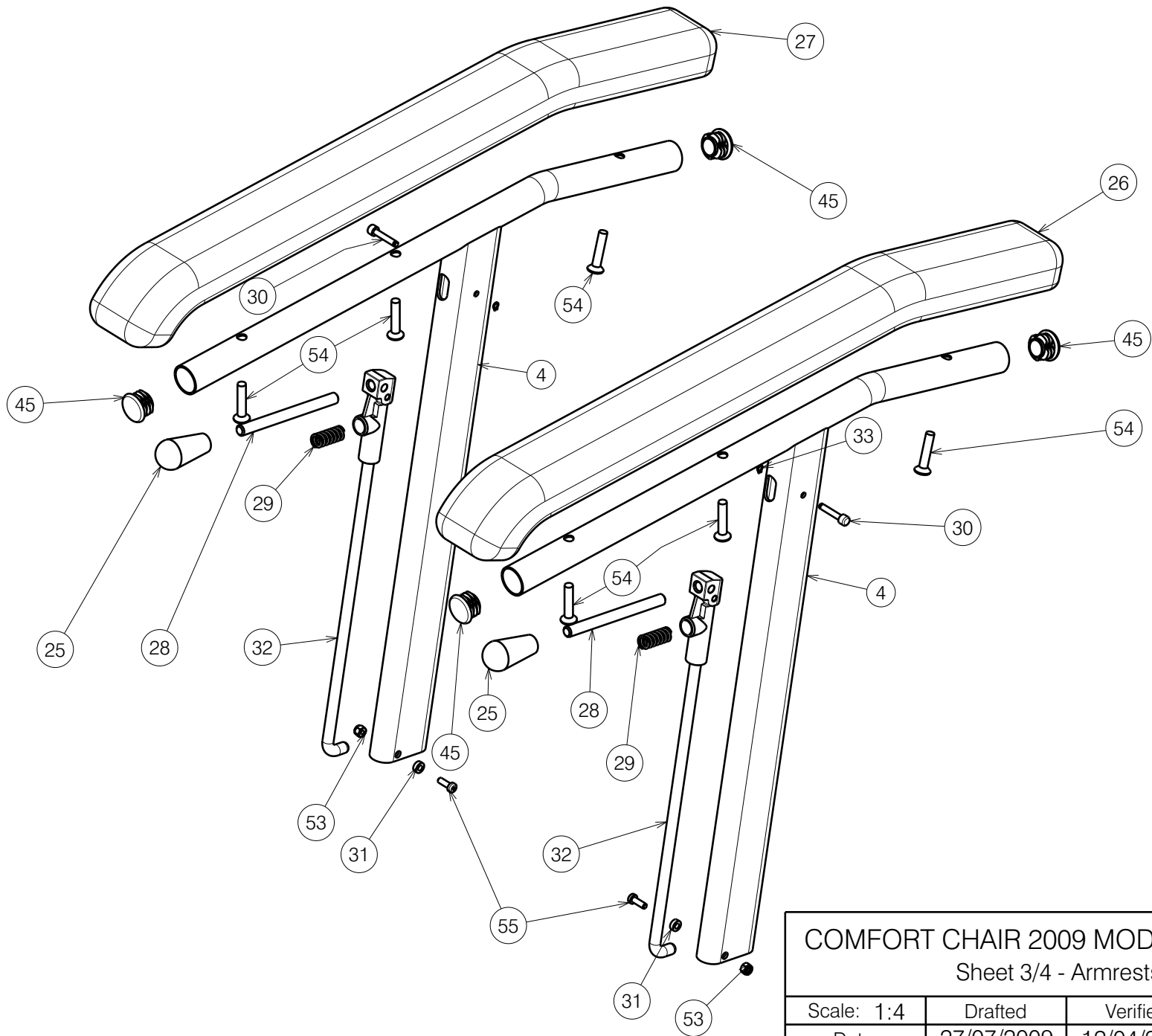
E000573/Q




5105950

COMFORT CHAIR 2009 MODEL NORMANDIE				Plan Number E000573/Q
Sheet 2/4 - Leg rest frame				
Scale: 1:3	Drafted	Verified	Confirmed	
Date	27/07/2009	12/04/2021	12/04/2021	
Initials	SD	SD	PJ	

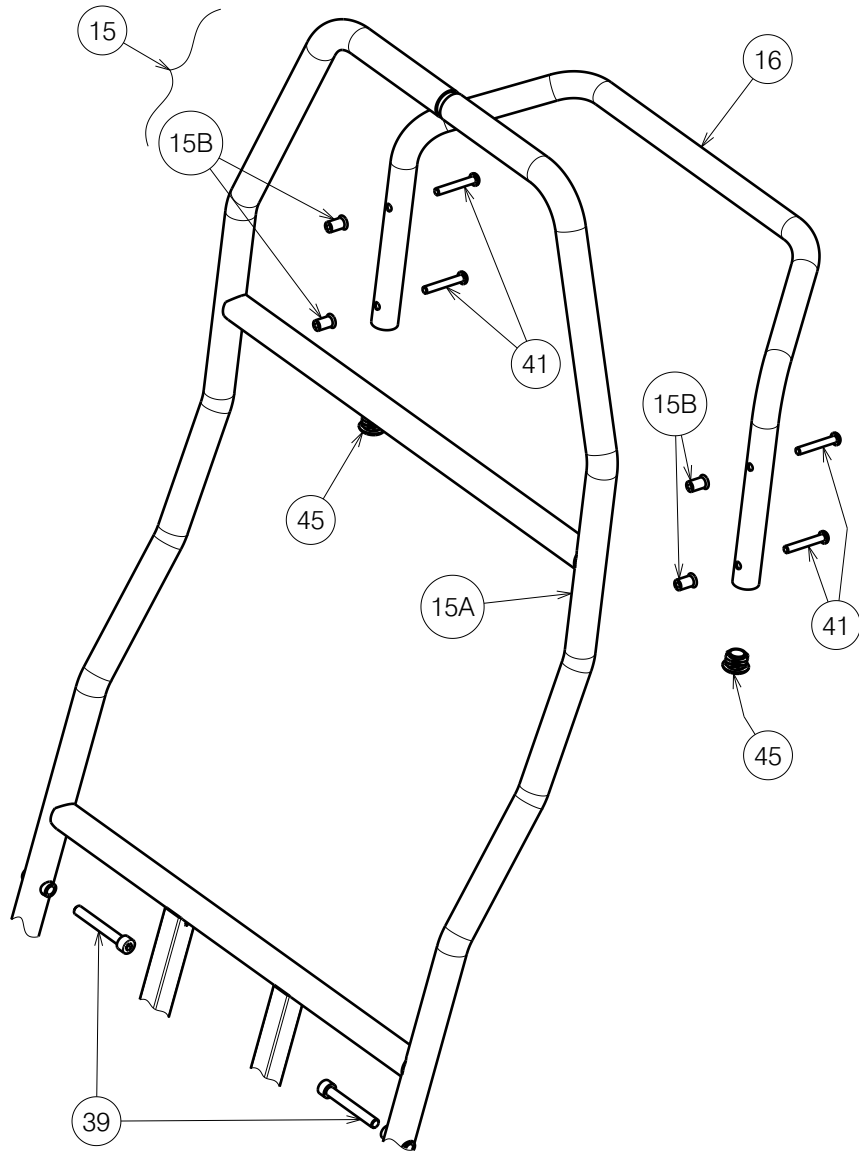
E000573/Q



5105950

COMFORT CHAIR 2009 MODEL NORMANDIE				Plan Number
Sheet 3/4 - Armrests				E000573/Q
Scale: 1:4	Drafted	Verified	Confirmed	
Date	27/07/2009	12/04/2021	12/04/2021	
Initials	SD	SD	PJ	

E000573/Q




Material							
No.	Plan	Article	Quantity	No.	Plan	Article	Quantity
1	Y012249	1667282	2	32	XP00208	2990139	2
2	Y015193	1715082	1	33	XP00297	2990125	2
3	Y015293	1714700	1	34	---	1001442	6
4	Y015294	1714801	2	35	---	1001498	2
6	Y015527	1715882	1	37	---	1001670	8
7	YP00412	1822582	1	38	---	1001680	1
8	YP00483	1822482	2	39	M8x60 DIN912/8.8	1997781	2
9	YP00491	1822382	2	40	---	1003199	30
10	YP00568	1822282	2	41	---	1006111	4
11	YP00592	1822682	1	42	---	1006997	1
12	YP00635	1822882	4	43	---	1007000	12
13	YP00715	1824982	1	44	X003827	1009400	2
14	YP00716	1825082	1	45	---	1990648	6
15	---	2072782	1	46	---	1991373	2
15A	YP00913	1836882	1	47	---	1992349	4
15B	X000989	1004539	4	49	150 N	1917602	1
16	YP00915	1836982	1	50	---	1993594	1
17	X000319	G080200	1	51	---	1916735	2
19	X001016	1001682	18	52	---	1916736	2
20	X001296	G065155	1	53	---	1001678	2
21	X001862	1447500	3	54	---	1007954	6
22	X002480	1993793	2	55	---	1900952	2
23	X004586	1904800	4	56*	---	1005207	2
24	X004587	1904801	2	57**	M6x35 DIN966/4.8	1003903	4
25	---	1998407	2				
26	XP00177	2990116	1				
27	XP00178	2990117	1				
28	XP00176	1824100	2				
29	XC00423	3991837	2				
30	XP00180	1824500	2				
31	XP00192	1826100	2				

* Not mounted, delivered separately

** Not depicted

E000573/Q

COMFORT CHAIR 2009 MODEL NORMANDIE				Plan Number
Sheet 4/4 - Back frame - BOM				E000573/Q
Scale: 1:5	Drafted	Verified	Confirmed	
Date	27/07/2009	12/04/2021	12/04/2021	
Initials	SD	SD	PJ	