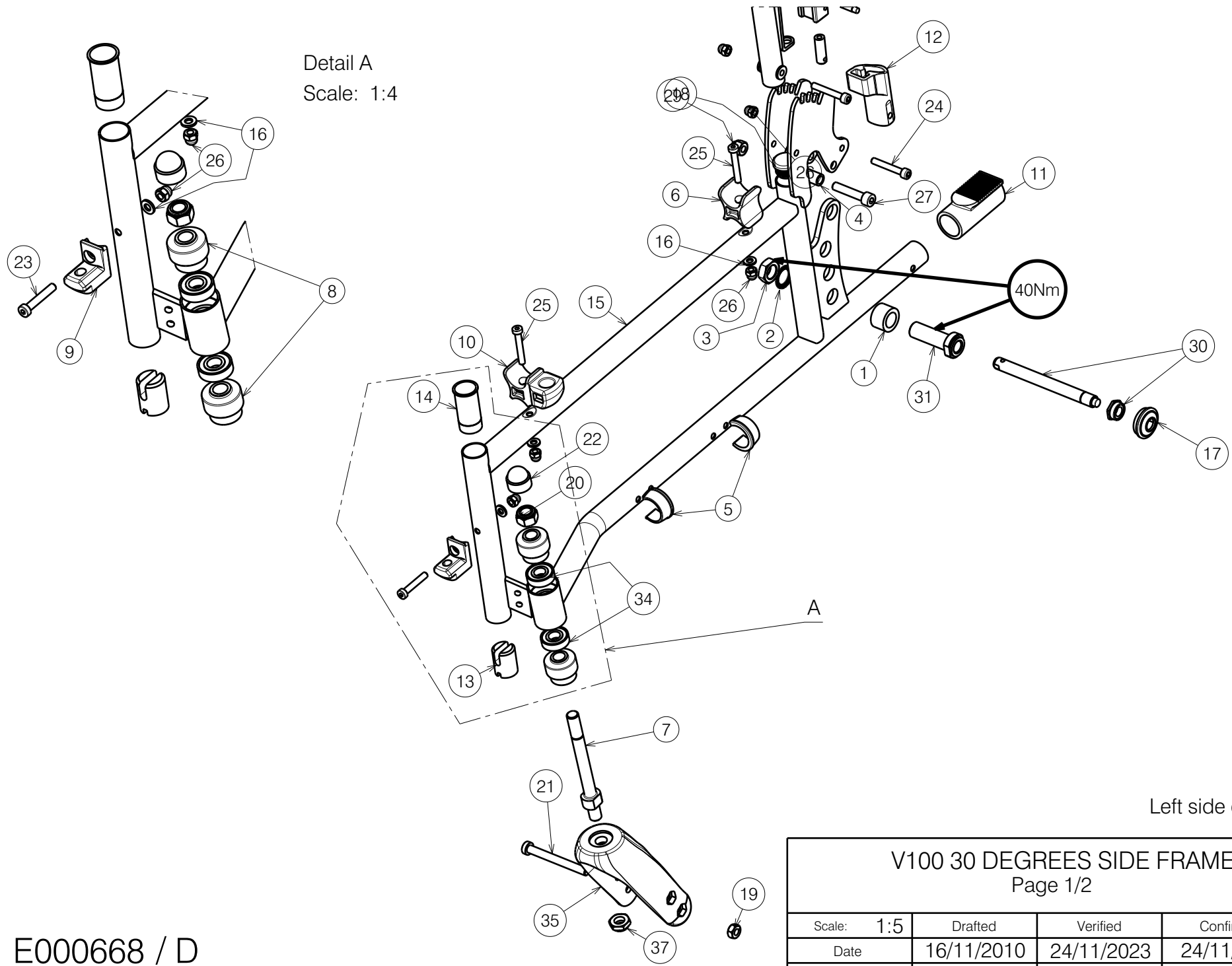


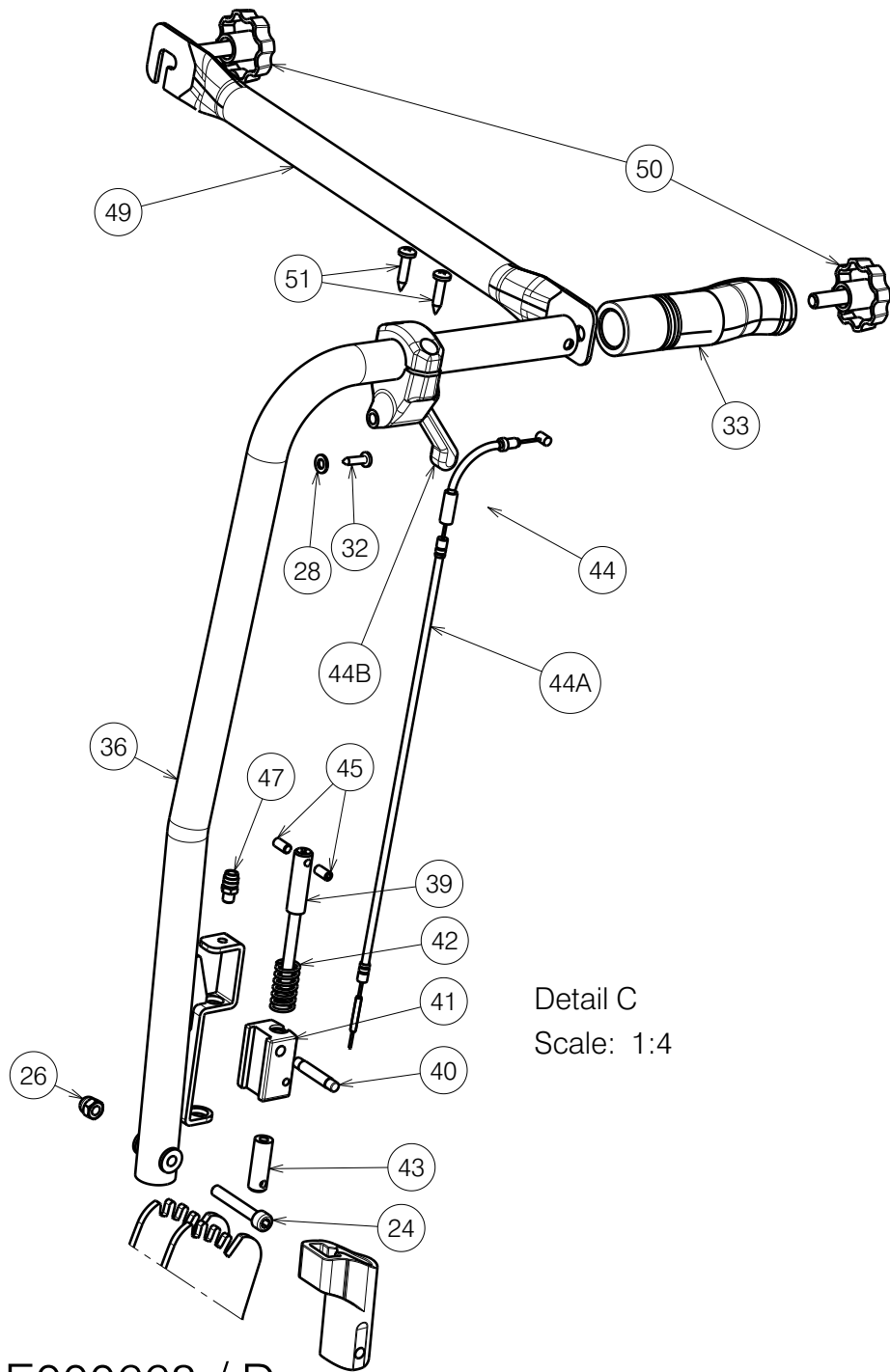
Detail A
Scale: 1:4



Left side only depicted

E000668 / D

V100 30 DEGREES SIDE FRAME				Plan No.
Page 1/2				E000668 / D
Scale: 1:5	Drafted	Verified	Confirmed	
Date	16/11/2010	24/11/2023	24/11/2023	
Initials	SV	PM	AS	



Detail C
Scale: 1:4

E000668 / D

Material							
No.	Plan	Article	Quantity	No.	Plan	Article	Quantity
1	X003986	1902199	2	31	---	1905244	2
2	M16 type S DIN17222	1911653	2	32	Ø4x16	1003021	2
3	X002437	1992699	2	33	---	1992600	2
4	X003204	1585100	2	34	---	1992559	4
5	X004308	1904129	4	35	---	1992599	2
6	X004309	1904133	2	36	Y017175	17409..	2
7	X004406	1722400	2	37	---	1994605	2
8	X004407	1904573	4	38	X004788	1740800	4
9	X004415	17193	2	39	X004797	1740500	2
10	X004420	1904134	2	40	X004987	1767500	2
11	X004469	1905045	2	41	X004796	17406	2
12	X004487	1904581	2	42	X004798	1740700	2
13	X004568	1904657	2	43	X004789	1740400	2
14	X004574	1904658	2	44	---	1907921	2
15	Y016877	17443.. (L)	1	44A	X004846	1906369	2
	Y016889	17444.. (R)	1	44B	---	1916909	2
16	---	1001564	6	45	---	1001485	4
17	X003800	1900347	2	46	---	1991323	2
18	---	1001608	2	47	---	1003282	2
19	---	1998994	2	48	X004846	1906369	2
20	---	1001684	2	49	Y004761	1521754 (39)	1
21	---	1998993	2		Y004762	1521854 (42)	1
22	---	1003294	2		Y004763	1521954 (44)	1
23	---	1903903	2		Y004764	1522054 (46)	1
24	M6x40 DIN912	1003909	4		Y004765	1522154 (48)	1
25	---	1006850	4		Y004766	1522254 (50)	1
26	---	1008492	10		Y017325	1746654 (53)	1
27	M8x40 DIN912	1001500	2		Y017326	1746754 (56)	1
28	M5 DIN125	1001550	2		Y017236	1745754 (60)	1
29	---	1902024	2	50	---	1001580	2
30	---	1905243	2	51	---	3991881	4

V100 30 DEGREES SIDE FRAME
Page 2/2

Plan No.

E000668 / D

Scale: 1:5

Drafted

Verified

Confirmed

Date

16/11/2010

24/11/2023

24/11/2023

Initials

SV

PM

AS

