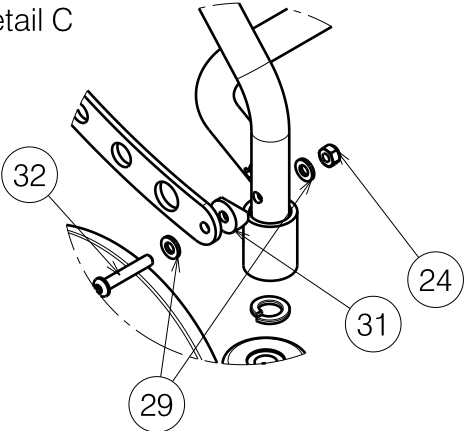

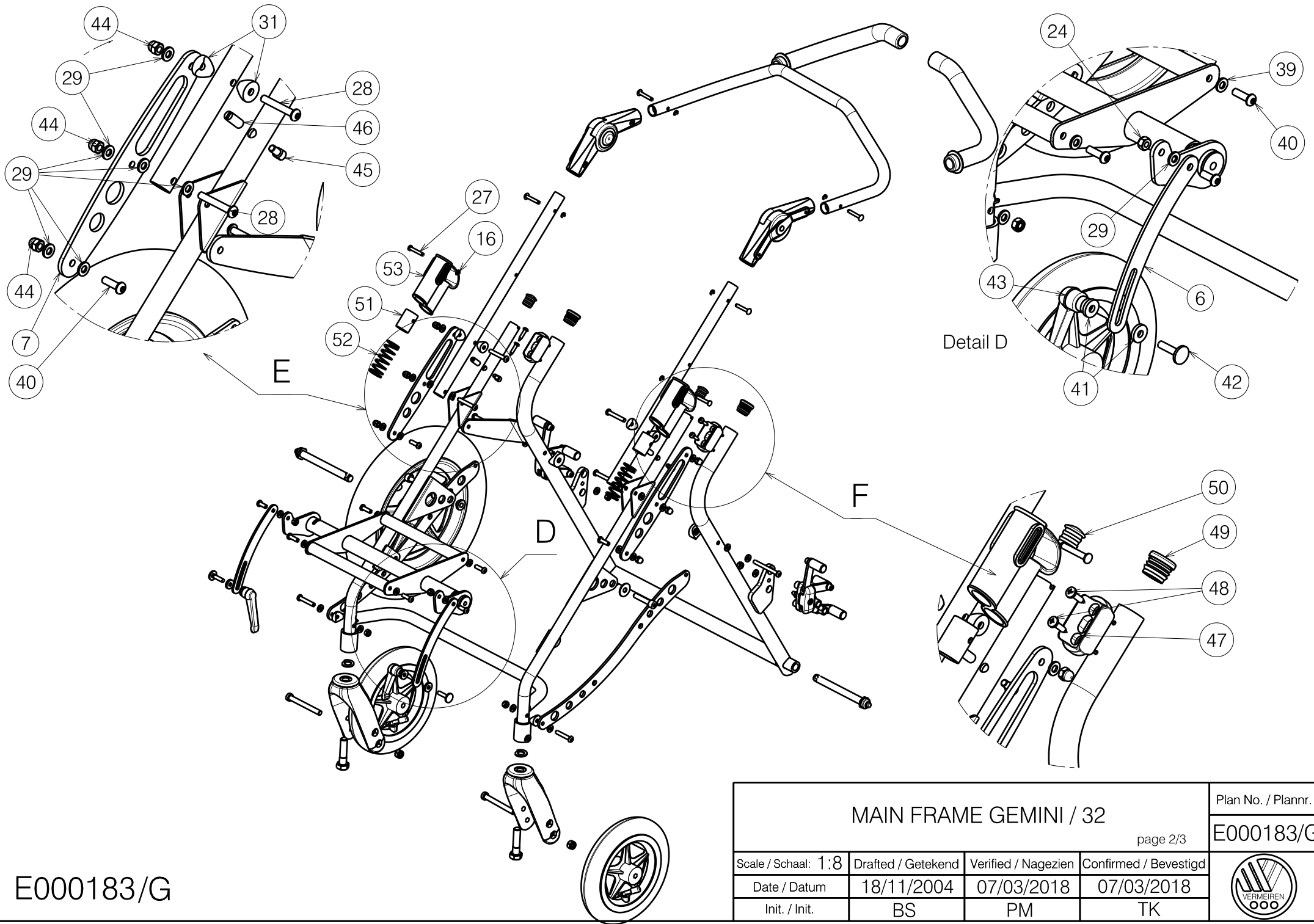


Detail C



E000183/G

<h3>MAIN FRAME GEMINI / 32</h3> <p style="text-align: right;">page 1/3</p>				Plan No. / Plannr.
				E000183/G
Scale / Schaal: 1:8	Drafted / Getekend	Verified / Nagezien	Confirmed / Bevestigd	
Date / Datum	18/11/2004	07/03/2018	07/03/2018	
Init. / Init.	BS	PM	TK	



E000183/G

MAIN FRAME GEMINI / 32

page 2/3

Plan No. / Plannr.

E000183/G

Scale / Schaal: 1:8	Drafted / Getekend	Verified / Nagezien	Confirmed / Bevestigd
Date / Datum	18/11/2004	07/03/2018	07/03/2018
Init. / Init.	BS	PM	TK



Material / Materiaal			
No. / Nr.	Plan	Article / Artikel	Number / Aantal
1	YP00423	18133..	1
2	YP00439	18136..	1
3	YP02046	18919..	2
4	YP00523	18161..	1
5	(YP00521)	1816000	2
6	(YP00492)	1814800	2
7	YP00456	18163..	2
8	YP00457	18137..	2
9	YP00458	18138..	1
10	---	---	---
11	YP00552	1817554	---
12	X002140	1992427	---
13	X002139	1992426	---
14	X000350	G000779	---
15	X002165	1488300	---
16	(X002506)	1993722	6
17	---	1525200	4
18	X002167	1992789	---
19	---	2990034	2
20	(X000350)	---	---
21	---	G000779	4
22	X002307	1499400	---
23	---	1992893	2
24	---	1001680	8
25	---	1992893	---
26	XP00138	---	---
27	---	1817200	2
28	---	1006111	6
29	---	1000973	22
30	---	1992915	2
31	---	1005742	6
32	---	1006057	2
33	(XP00146)	1991447	2
34	---	1818700	2

Material / Materiaal			
No. / Nr.	Plan	Article / Artikel	Number / Aantal
35	---	1996574	2
36	---	1001500	2
37	---	2990085	1
38	---	2990087	1
39	---	1001564	4
40	---	1006999	6
41	---	1003321	4
42	---	2990113	2
43	---	1996843	2
44	---	1001687	6
45	(X002698)	1552300	2
46	(X002671)	1552000	2
47	---	1994452	2
48	---	2990070	4
49	---	1001608	2
50	---	1001602	2
51	---	2990093	2
52	---	2990094	2
53	---	2990084	2
54	---	2990089	2
55	---	1900184	2
56	---	1990507	2
57	---	2990149	1
58	---	1001572	2
59	---	1998993	2
60	---	1998994	2
61	EP00056	---	1

E000183/G

MAIN FRAME GEMINI / 32				Plan No. / Plannr.
page 3/3				E000183/G
Scale / Schaal: 1:1	Drafted / Getekend	Verified / Nagezien	Confirmed / Bevestigd	
Date / Datum	18/11/2004	07/03/2018	07/03/2018	
Init. / Init.	BS	PM	TK	