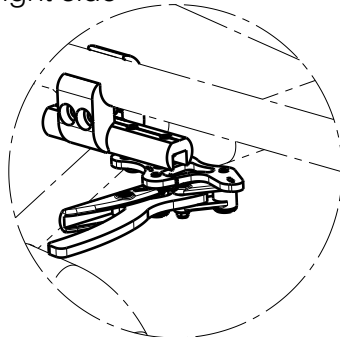
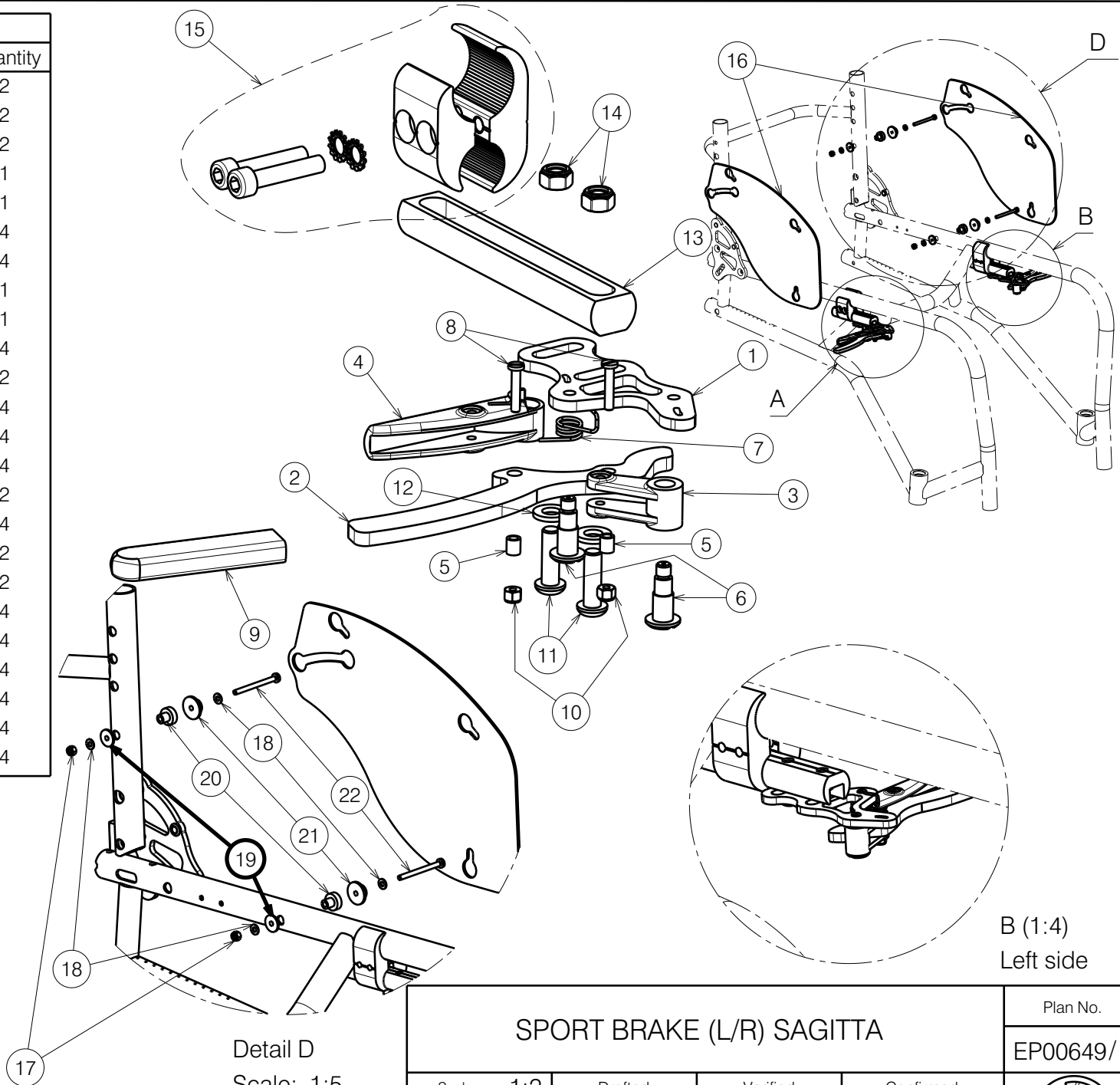


Material			
No.	Plan	Article	Quantity
1	YP06972	2743765	2
2	P00050248	2670465	2
3	XP02231	2993879	2
4	XP02229(R)	2993877	1
	XP02230(L)	2993878	1
5	XP02079	GP15300	4
6	XP02078	GP15226	4
7	XP01914(L)	GP13300	1
	XP01915(R)	GP13400	1
8	XP02922	GP22126	4
9	---	1007521	2
10	M3	2994899	4
11	M6x20 Black	2994010	4
12	M6 DIN 125	2994414	4
13	XP03430	2997530	2
14	M6 DIN 985 Black	2994063	4
15	MBL	2990321	2
16	YP09506	26610...	2
17	M4 DIN985 Black	1907202	4
18	M4 DIN125 Black	1003303	4
19	XP03432	2997532	4
20	XP03431	2997531	4
21	XP00412	2990456	4
22	M4x50 DIN7985 Black	2997533	4

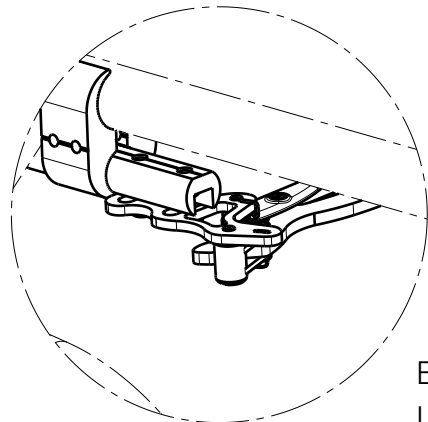
Quantity per left and right side



A (1:3)
Right side



Detail D
Scale: 1:5



B (1:4)
Left side

EP00649 / E

SPORT BRAKE (L/R) SAGITTA				Plan No.
				EP00649/ E
Scale: 1:2	Drafted	Verified	Confirmed	
Date	15/11/2022	12/12/2023	12/12/2023	
Initials	WM	PM	AS	