
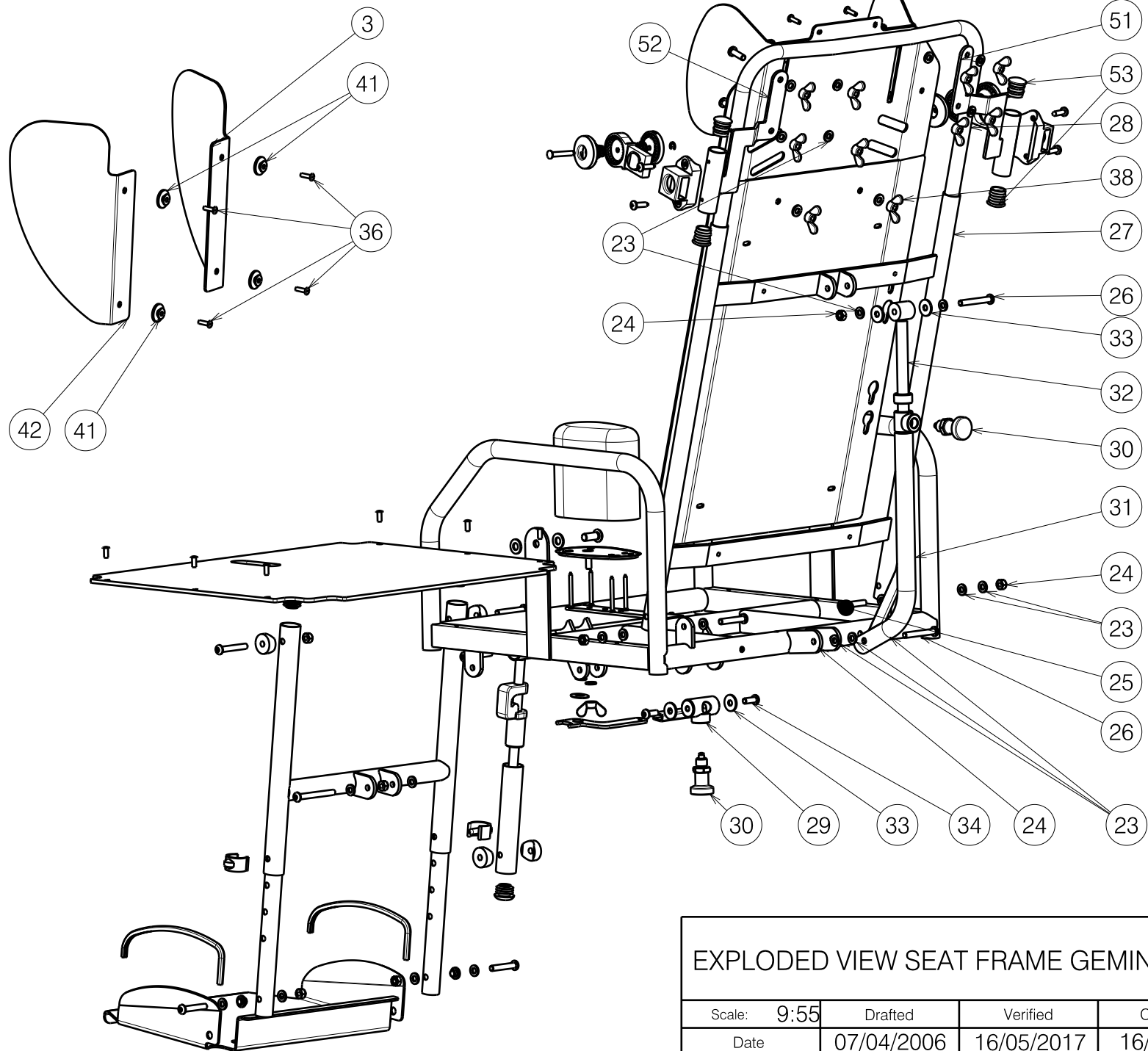



E000277/H

EXPLODED VIEW SEAT FRAME GEMINI 40 1/3				Plan No. E000277/H
Scale: 1:8	Drafted	Verified	Confirmed	
Date	07/04/2006	16/05/2017	16/05/2017	
Init.	BS	AS	TK	




E000277/H

EXPLODED VIEW SEAT FRAME GEMINI 40 2/3				Plan No. E000277/G
Scale: 9:55	Drafted	Verified	Confirmed	
Date	07/04/2006	16/05/2017	16/05/2017	
Init.	BS	AS	TK	

Material / Materiaal			
No. / Nr.	Plan	Article / Artikel	Number / Aantal
1	YP00787	18289..	1
2	XP00817	2991001	1
3	(YP00727)	1826382	1
	(YP01184)	1853182	1
4	YP00752	18278..	1
5	YP00750	18274..	1
6	---	1992349	2
7	---	1003199	4
8	YP00790	18291..	1
9	(Y002209)	1389600	1
10	X001424	1009752	1
11	X001474	1005641	1
12	YP00911	18366..	1
13	X001470	1397900	1
14	---	1229600	1
15	Y007151	1721900	1
16	XP00200	2990129	4
17	XP00126	2990090	2
18	(YP00894)	1829500	2
19	YP00769	18279..	1
20	XP00217	1828700	2
21	---	1990648	3
22	---	1006111	3
23	---	1000973	29
24	---	1001680	10
25	---	1006057	4
26	---	1991017	2
27	YP00805	18293..	1
28	YP00803	18294..	1

Material / Materiaal			
No. / Nr.	Plan	Article / Artikel	Number / Aantal
29	(YP00896)	1836200	1
30	---	2990150	2
31	YP00815	18297..	1
32	(YP00893)	1829800	1
33	---	2990046	4
34	---	1008459	2
35	XP00140	2990097	2
36	---	1001584	10
37	---	1990752	6
38	---	1001520	11
39	XP00234	2990153	1
40	---	1997879	1
41	XP00233	2990144	4
42	(YP00728)	1826482	1
	(YP01185)	1853282	1
43	---	1003299	2
44	YP01036	18926	2
45	---	PP00427	4
46	---	2990101	4
47	---	2990102	4
48	---	2990100	2
49	---	2990099	2
50	---	1993722	2
51	YP03978	28420	1
52	YP03979	28421	1
53	---	2990095	4
54	---	1006999	4
55	M3.5x40	2991054	4
56	YP04001		1
57	XP00138	18172	2
58	---	1001144	1

E000277/H

EXPLODED VIEW SEAT FRAME GEMINI 40 3/3				Plan No.
				E000277/G
Scale: :	Drafted	Verified	Confirmed	
Date	07/04/2006	16/05/2017	16/05/2017	
Init.	BS	AS	TK	