

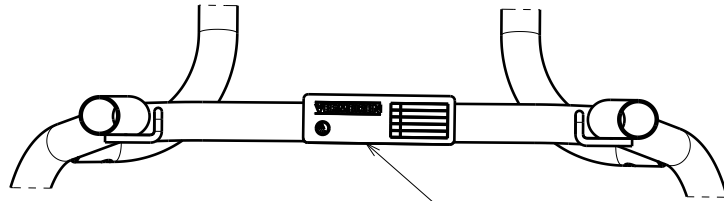
E000120/O (7)

Material			
No.	Plan	Article	Number
1	YP00376	18120...	1
2	---	2990076 (grey)	2
	---	2990079 (black)	
3	---	2990075 (grey)	1
	---	2990080 (black)	
4	---	2990077 (grey)	1
	---	2990081 (black)	
5	---	2990078 (grey)	1
	---	2990082 (black)	
6	XP00106	2990072	2
7	---	1996073	1
8	X003293	1001626	4
9	---	1003903	4
10	---	1007954	4
11	---	1005767	4
12	---	1001608	2
13	---	1001561	4
14	Sticker	T001051	1
15	Sticker	T001097	1
16*	XP03128	2996685	8
17*	Cardboard	PP00961	4
18*	Feet	2994744	2

Bucket set - article 1996073			
No.	Plan	Article	Number
7a	XP00097	2990065	1
7b	XP00098	2990066	1
7c	XP00113	GP00900	1

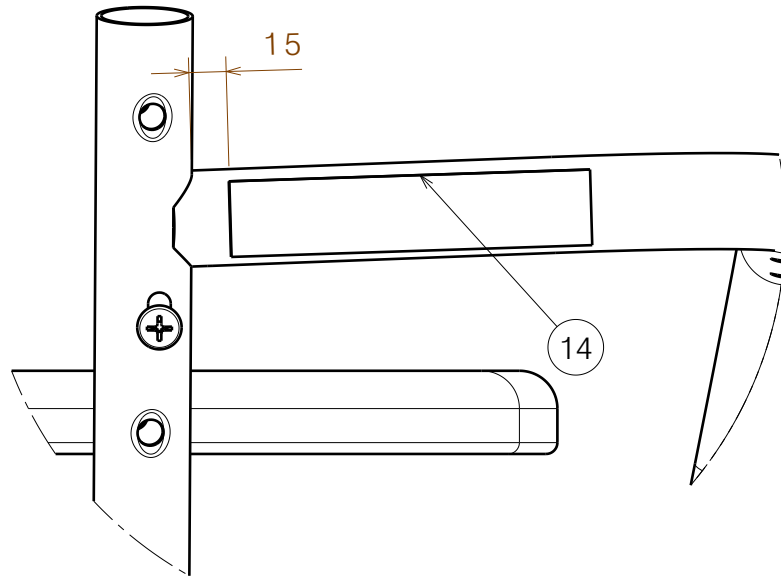
\*use for packaging, quantities for whole package of 5 chairs

TOILET CHAIR TYPE 9062				Plan No.
Sheet 1/2				E000120/O
Scale: 1:8	Drafted	Verified	Confirmed	
Date	11/02/2004	14/10/2021	14/10/2021	
Init.	BS	PM	TK	



Central position

15



15

14

TOILET CHAIR TYPE 9062 Sheet 2/2				Plan No.
				E000120/O
Scale: 1:8	Drafted	Verified	Confirmed	
Date	11/02/2004	14/10/2021	14/10/2021	
Init.	BS	PM	TK	